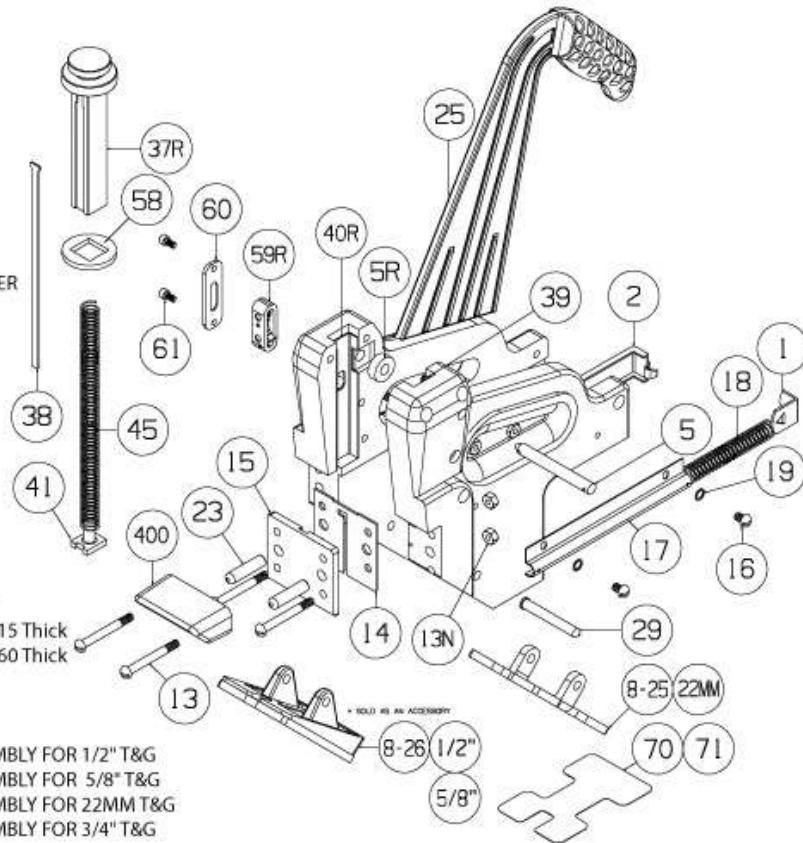


Model 45R Schematic - Click on the Circled Part Number.

See Assemblies below [\(go back\)](#)

- 1. SPRING CLIP
- 2. FEEDER CHANNEL
- 5. ROLLER PIN ASSEMBLY
- 5R. ROLLER
- 13. FOOT SCREW
- 13N. LOCKNUT
- 14. GATE
- 15. FOOT
- 16. SPRING CONTAINER SCREW
- 17. SPRING CONTAINER
- 18. FEEDER SPRING
- 19. SPRING CONTAINER LOCK WASHER
- 23. DOWEL PIN
- 25. HANDLE ASSEMBLY
- 29. ADAPTER PLATE PIN ASSEMBLY
- 37R. RATCHET PLUNGER
- 38. DRIVING BLADE
- 39. LEFT PLUNGER LINER
- 40R. RIGHT PLUNGER LINER
- 41. PLUNGER SPRING PIN
- 45. PLUNGER SPRING
- 58. BLADE RETAINER
- 59R. RATCHET ASSEMBLY
- 60. RATCHET ACCESS PLATE
- 61. RATCHET ACCESS PLATE SCREW
- 70. #825 NO MAR PAD (STICK-ON) .015 Thick
- 71. #825 NO MAR PAD (STICK-ON) .060 Thick
- 72. MODEL 45R TUNE UP KIT
- 73. MODEL 45R OVERHAUL KIT
- 400. TOE STAND
- 826-12. #826 ADAPTER PLATE ASSEMBLY FOR 1/2" T&G
- 826-58. #826 ADAPTER PLATE ASSEMBLY FOR 5/8" T&G
- 825-22. #825 ADAPTER PLATE ASSEMBLY FOR 22MM T&G
- 825-34. #825 ADAPTER PLATE ASSEMBLY FOR 3/4" T&G



Assemblies, Kits and Accessories [\(go back\)](#)

Accessories		
A-01.	#826 ADAPTER PLATE ASSEMBLY FOR 1/2" T&G	View
A-02.	#826 ADAPTER PLATE ASSEMBLY FOR 5/8" T&G	View
A-03.	#825 ADAPTER PLATE ASSEMBLY FOR 22MM T&G	View
A-04.	#825 ADAPTER PLATE ASSEMBLY FOR 3/4" T&G	View
Tune-Up and Overhaul Kits		
72.	MODEL 45R TUNE UP KIT	View