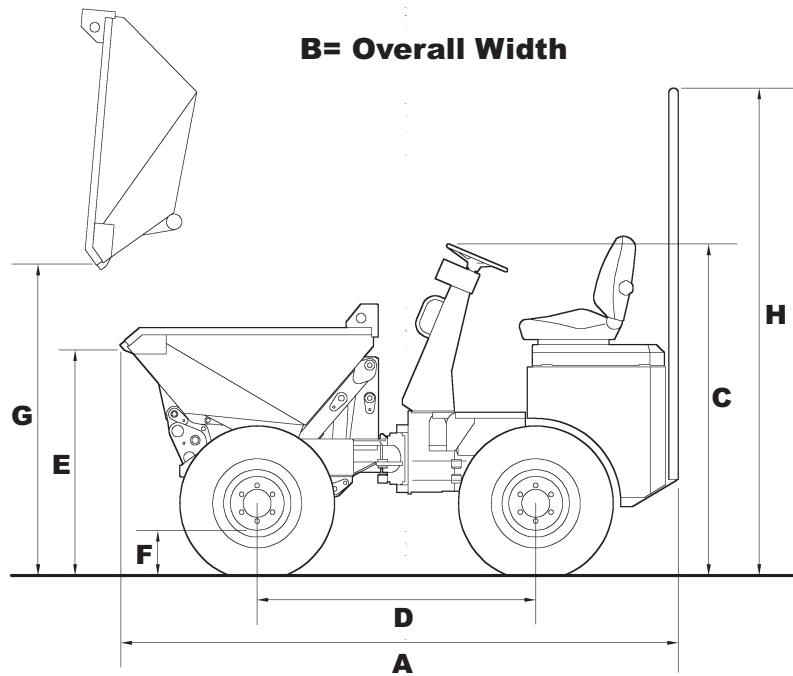


## Mini Dumpers



<b>Dimensions (mm)</b>			
	<b>HD850</b>	<b>HD1000</b>	<b>HD1200</b>
<b>A</b>	<b>2959</b>	<b>2959</b>	<b>2959</b>
<b>B</b>	<b>998 / 1120</b>	<b>998 / 1120</b>	<b>1310</b>
<b>C</b>	<b>1745</b>	<b>1745</b>	<b>1745</b>
<b>D</b>	<b>1440</b>	<b>1440</b>	<b>1440</b>
<b>E</b>	<b>1175</b>	<b>1175</b>	<b>1175</b>
<b>F</b>	<b>241</b>	<b>241</b>	<b>241</b>
<b>G</b>	<b>1595</b>	<b>1595</b>	<b>1595</b>
<b>H</b>	<b>2483</b>	<b>2483</b>	<b>2483</b>
<b>Weight Kgs</b>	<b>1410</b>	<b>1440</b>	<b>1485</b>

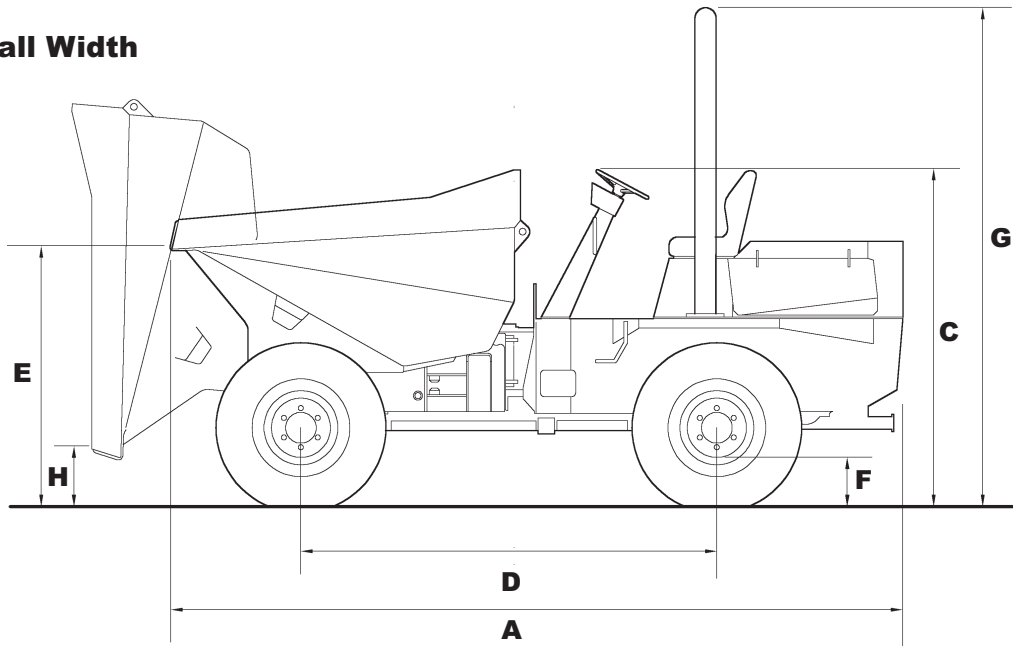
<b>Engine</b>				
	<b>Engine</b>	<b>k.W.</b>	<b>h.p.</b>	<b>@RPM</b>
<b>HD850</b>	<b>Kubota D905</b>	<b>16.4</b>	<b>22.0</b>	<b>3000</b>
<b>HD1000</b>	<b>Kubota D905</b>	<b>16.4</b>	<b>22.0</b>	<b>3000</b>
<b>HD1200</b>	<b>Kubota D905</b>	<b>16.4</b>	<b>22.0</b>	<b>3000</b>

<b>Skip Capacities</b>				
	<b>Payload Kg</b>	<b>Water Ltr</b>	<b>Struck Ltr</b>	<b>Heaped Ltr</b>
<b>HD850</b>	<b>850</b>	<b>295</b>	<b>391</b>	<b>484</b>
<b>HD1000</b>	<b>1000</b>	<b>338</b>	<b>446</b>	<b>577</b>
<b>HD1200</b>	<b>1200</b>	<b>415</b>	<b>548</b>	<b>725</b>

<b>Transmission</b>			
	<b>HD850</b>	<b>HD1000</b>	<b>HD1200</b>
<b>Tyre Size</b>	<b>700 x 12 10.0/75x15.3</b>	<b>700 x 12 10.0/75x15.3</b>	<b>10.0/75x15.3</b>
<b>Drive</b>	<b>Hydrostatic</b>	<b>Hydrostatic</b>	<b>Hydrostatic</b>
<b>Max KPH</b>	<b>11.0</b>	<b>11.0</b>	<b>11.0</b>

## Power Tip 4WD Dumpers

**B = Overall Width**



### Dimensions (mm)

	PT2000	PT3000	PT4000H	PT5000	PT6000	PT7000	PT9000
<b>A</b>	3570	3755	3706	4270	4320	4320	4330
<b>B</b>	1860	1950	2170	2250	2350	2500	2500
<b>C</b>	1770	1860	1890	2070	2160	2160	2532
<b>D</b>	1950	1950	1950	2450	2450	2450	2450
<b>E</b>	1270	1430	1460	1500	1630	1630	1722
<b>F</b>	275	300	330	308	380	380	410
<b>G</b>	2635	2680	2795	2835	2910	2910	3342
<b>H</b>	230	250	290	365	360	360	430
<b>Weight</b>	2050	2260	2520	3880	4110	4170	4880

### Engine

	Engine	k.W.	h.p.	@RPM
<b>PT2000</b>	Kubota D1703M	24.5	32.6	2600
<b>PT3000</b>	Kubota V2203M	32.4	43.2	2600
<b>PT4000</b>	Yanmar 4TNE88	28.80	38.5	2400
<b>PT5000</b>	Cummins B4.5	60.0	80.0	2200
<b>PT6000</b>	Cummins B4.5	60.0	80.0	2200
<b>PT7000</b>	Cummins B4.5	60.0	80.0	2200
<b>PT9000</b>	Perkins 1104C-44	74.5	99.0	2200

### Skip Capacities

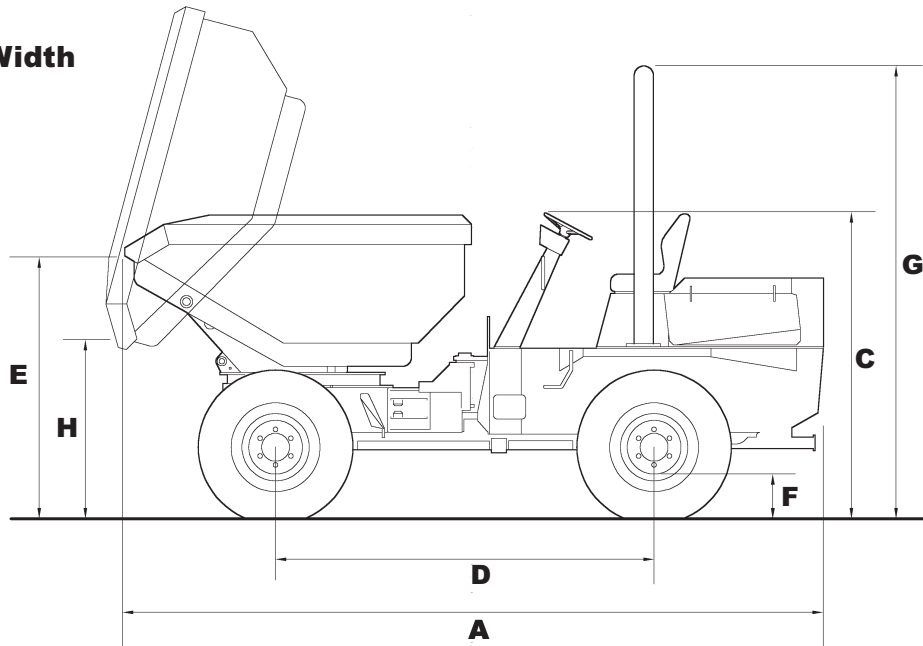
	Payload Kg	Water Ltr	Struck Ltr	Heaped Ltr
<b>PT2000</b>	2000	900	1320	1720
<b>PT3000</b>	3000	1250	1600	1950
<b>PT4000</b>	4000	1420	2000	2640
<b>PT5000</b>	5000	1620	2450	3100
<b>PT6000</b>	6000	1950	2740	3780
<b>PT7000</b>	7000	2100	3020	3850
<b>PT9000</b>	9000	2360	4065	5050

### Transmission

	PT2000	PT3000	PT4000	PT5000	PT6000	PT7000	PT9000
<b>Tyre Size</b>	10.0/75x15.3x8ply	11.5/80x15.3x8ply	12.0x18x12ply	12.0x18x12ply	405/70-20-14PR	405/70-20-14PR	500/60x22.5x16ply
<b>Drive</b>	3/1 manual	3/1 manual	2/2 hydrostatic	4/4 powershuttle	4/4 powershuttle	4/4 powershuttle	4/4 powershuttle
<b>Max KPH</b>	20.0	19.0	18.0	25.0	27.0	27.0	28.0

## Power Swivel 4WD Dumpers

**B= Overall Width**



### Dimensions (mm)

	PS2000	PS3000	PS3500H	PS4000H	PS5000	PS6000
<b>A</b>	3800	3850	3850	4270	4550	4590
<b>B</b>	1800	1860	1860	1910	2075	2095
<b>C</b>	1770	1860	1860	1890	2070	2160
<b>D</b>	1950	1950	1950	1950	2450	2450
<b>E</b>	1270	1500	1500	1600	1690	1760
<b>F</b>	275	300	300	330	308	380
<b>G</b>	2635	2680	2680	2795	2835	2910
<b>H</b>	1000	1100	1100	1030	1060	1100
<b>Weight</b>	2320	2550	2380	2840	4000	4270

### Engine

	Engine	k.W.	h.p.	@RPM
<b>PS2000</b>	Kubota D1703-m	24.5	32.6	2600
<b>PS3000</b>	Kubota V2203-M	32.4	43.2	2600
<b>PS3500H</b>	Yanmar 4TNE88	28.80	38.50	2400
<b>PS4000H</b>	Yanmar 4TNE88	28.80	38.50	2400
<b>PS5000</b>	Cummins B4.5	60.0	80.0	2200
<b>PS6000</b>	Cummins B4.5	60.0	80.0	2200

### Skip Capacities

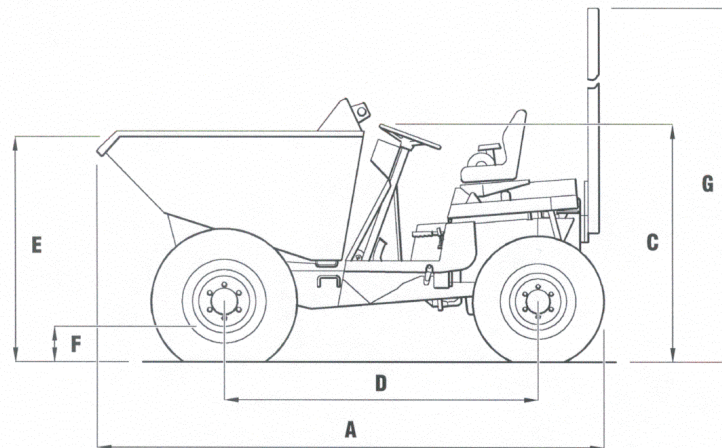
	Payload Kg	Water Ltr	Struck Ltr	Heaped Ltr
<b>PS2000</b>	2000	810	1080	1440
<b>PS3000</b>	3000	1000	1500	1870
<b>PS3500H</b>	3500	1000	1500	1870
<b>PS4000H</b>	4000	1350	1660	2500
<b>PS5000</b>	5000	1700	2300	2910
<b>PS6000</b>	6000	1850	2750	3520

### Transmission

	PS2000	PS3000	PS3500H	PS4000H	PS5000	PS6000
<b>Tyre Size</b>	10.0/75x15.3x8ply	11.5/80x15.3x8ply	11.5/80x15.3x8ply	12.0x18x12ply	12.0x18x12ply	405/70-20-14PR
<b>Drive</b>	3/1 manual	3/1 manual	2/2 hydrostatic	2/2 hydrostatic	4/4 powershuttle	4/4 powershuttle
<b>Max KPH</b>	20.0	19.0	18.0	18.0	25.0	27.0

## 2WD Dumpers

**B= Overall Width**



<b>Dimensions (mm)</b>			
	<b>100</b>	<b>150</b>	<b>200</b>
<b>A</b>	2750	2800	2810
<b>B</b>	1520	1520	1520
<b>C</b>	1430	1470	1470
<b>D</b>	1764	1764	1764
<b>E</b>	1106	1106	1220
<b>F</b>	250	250	250
<b>G</b>	2380	2410	2410
<b>Weight</b>	1200	1230	1250

<b>Transmission</b>			
	<b>100</b>	<b>150</b>	<b>200</b>
<b>Tyre Size</b>	6.0x16x6ply 6.0x16x4ply	7.5x16x8ply 6.0x16x4ply	7.5x16x8ply 6.0x16x4ply
<b>Drive</b>	3/1 manual	3/1 manual	3/1 manual
<b>Max KPH</b>	20.13	21.89	21.89

<b>Engine</b>				
	<b>Engine</b>	<b>k.W.</b>	<b>h.p.</b>	<b>@RPM</b>
<b>100</b>	Kubota D905E	16.4	22.0	3000
<b>150</b>	Kubota D905E	16.4	22.0	3000
<b>200</b>	Kubota D905E	16.4	22.0	3000

<b>Skip Capacities</b>				
	<b>Payload Kg</b>	<b>Water Ltr</b>	<b>Struck Ltr</b>	<b>Heaped Ltr</b>
<b>100</b>	1000	557	627	881
<b>150</b>	1500	647	732	1035
<b>200</b>	2000	860	1052	1384

**Terex Compact**  
**Central Boulevard**  
**Prologis Park**  
**Coventry**  
**England**  
**CV6 4BX**  
**Tel: +44(0)24 7633 9400**  
**Fax: +44(0)24 7633 9500**

[www.terexce.com](http://www.terexce.com)

TEREX Compact reserve the right to change the specification without notice.  
Illustration may show options or accessories.